

SURFACE FIXING

SURFACE wiring-fix box over flat surface. Surface by tightening two screws evenly down to prevent distortion.

CONCEAL FIXING

Lower box into wall with front edge level or slightly below wall surface. Do not remove the thread protection plugs until ready for final installation.

CONDUIT HOLES

Red polythene plugs are provided for filling unused side entries. Do not remove these plugs.

TESTING

Insert and push in the key that provided (refer do drawing).

NORMAL OPERATING METHOD

The system is operated by pressing hard to the glass.

MAIN SYSTEM

Affix voltage warning label to each unit.



PART.N: 2000-402

RATINGS

250V AC 10A

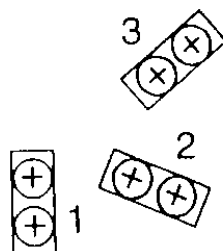
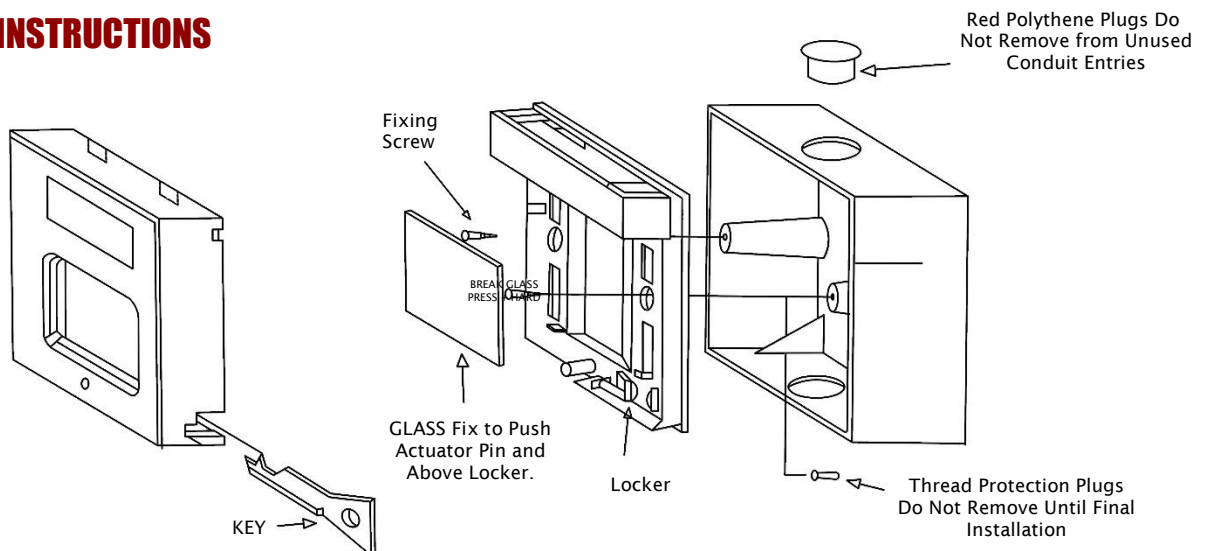
12/24V DC 10A

48V DC 3A

WIRING

Do not connect two cores with one terminal screw. always use one screw for "IN" and one for "OUT" to ensure good continuity.

INSTALLATION INSTRUCTIONS



CONNECTION INSTRUCTION

1 and 2-Open Circuit System.

1 and 3- Close Circuit System